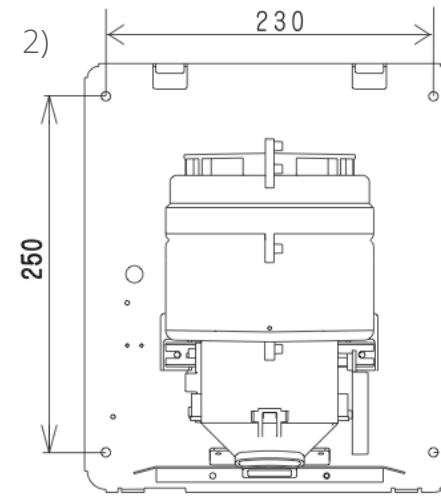
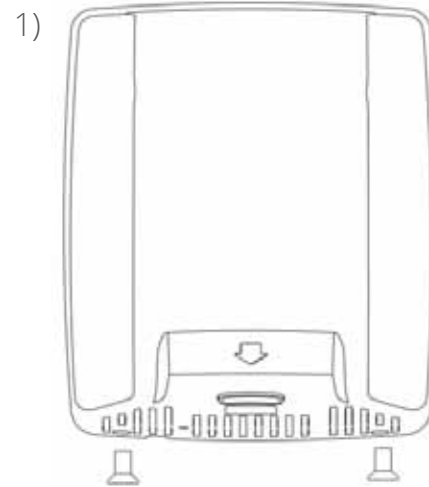


# Installation Instructions **Advanced Hand Dryer**



- Remove the cover by unscrewing the two retaining screws holding it in position, using the supplied key.
- Offer the hand dryer backplate up to the mounting surface and mark the four fixing points through the holes in the backplate.
- Drill the four marked fixing holes and insert the supplied wall plugs.
- Offer the dryer backplate up to the wall, and insert the four fixing screws through the backplate into the wall plugs.
- Replace the cover, ensuring the two retaining screws are not overtightened.



## **Recommended Mounting Heights**

Measurements are from the base of the unit to the floor

- Mens: 45" (114 cm)
- Ladies: 43" (109 cm)
- Teenagers: 41" (104 cm)
- Small Children: 35" (89 cm)
- Disabled: 39" (99 cm)

