

Installation Instructions Edge Hand Dryer



1a. Remove the air filter cartridge:

- Prior to installation, remove the air filter cartridge from the dryer and store safely.

1b. Wire the unit:

- Remove the hand dryer cover.
- Wire the unit accordingly.
- Replace the hand dryer cover once complete.

2. Fix the mounting plate:

- Having removed the mounting plate from the rear of the dryer, fix to the wall using the provided fixings as per the diagram measurement guide.

3. Hang the dryer on mounting plate:

- Carefully hang the dryer chassis on to the mounting plate and ensure it is securely attached.

4. Replace air filter cartridge

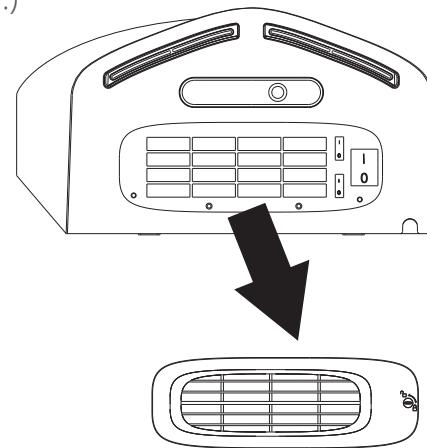
- Replace the air filter cartridge into the unit and secure using provided screws.

Recommended Mounting Heights

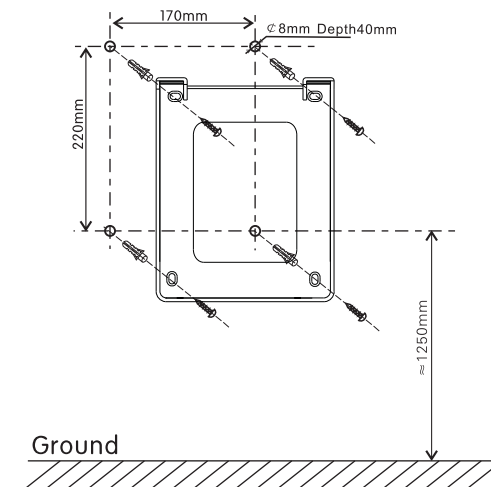
Measurements are from the base of the unit to the floor

- Mens: 45" (114 cm)
- Ladies: 43" (109 cm)
- Teenagers: 41" (104 cm)
- Small Children: 35" (89 cm)
- Disabled: 39" (99 cm)

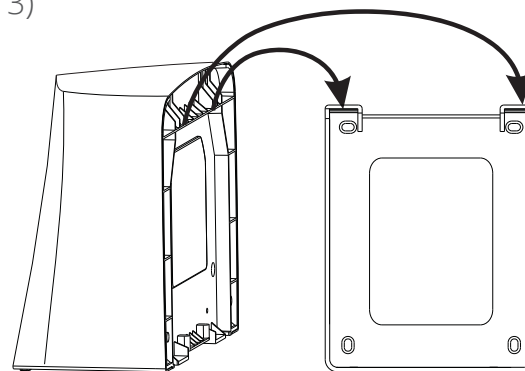
1a.)



2)



3)



4)

