



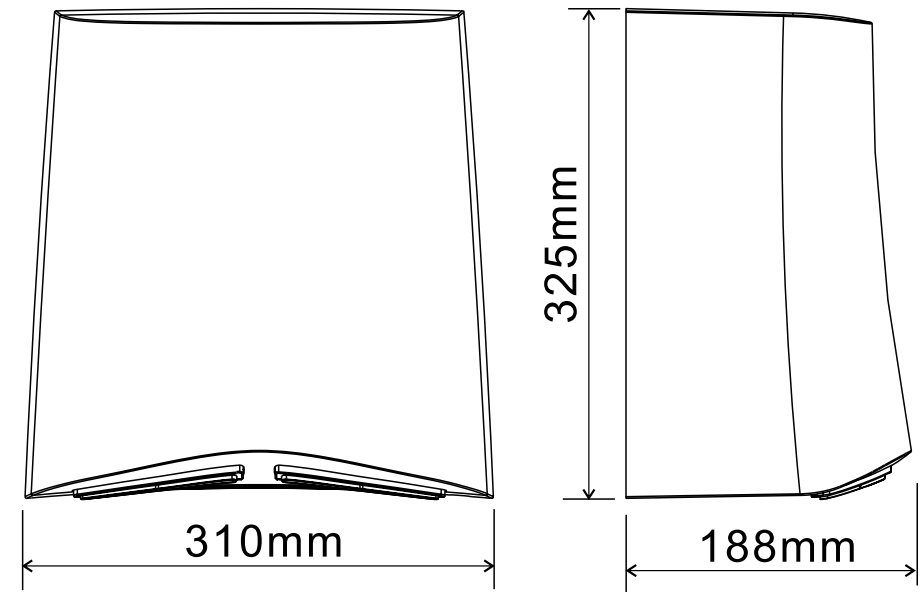
Automatic Hand Dryers

Edge Hand Dryer
Instructions Manual

Table of Contents

Product Dimensions	3
Product Features, Technical Specifications & Package Contents	4
Installation & Safety Guidelines	5
Installation Instructions	6
Operation Guidelines	8
Cleaning & Maintenance Guidelines	9
Warranty Details	10

Product Dimensions



Product Features, Technical Specifications & Package Contents

Product Features:

- Twin-blade dryer with V-style formation for fast, quiet drying – under 9 seconds!
- Produces sheets of 'clean' air at over 100 meters per second
- Heavy duty Stainless Steel casing gives excellent ongoing protection against corrosion and vandalism
- Automatic 'no touch' operation ensures impeccable hygiene
- Eco-mode switches inside the casement allow you to adjust power consumption to help reduce cost and carbon footprint
- No unnecessary energy wastage thanks to the automatic cut-off
- Reduced noise levels make this one of the quietest and most discrete dryers in any class
- Easy to install and maintain
- Finishes available in Brushed Metal, Reflex Silver, Arctic White and even your colours...

Technical Specifications:

- Shell material: 304 Stainless Steel
- Standard finishes: Brushed Metal, Reflex Silver, Arctic White
- Rated voltage: AC 220-240V
- Rated frequency: 50 / 60 Hz
- Rated Power: 2,000W (800W motor, 1,200W heating element)
- Installation: wall mounted
- Drying time: 9 Seconds
- Air speed: 100 M/s
- Noise output: 70dB
- Operation: infrared automatic 'no touch'
- Timing protection: 60 seconds auto cut off
- Thermal protection: cut off above 70C

- Drip Proof: IPX1
- Unit Dimensions: 310mm W x 325mm H x 188mm D
- Net weight: 6.0 kg
- Certification: CE, RoHs

Package Contents:

- Hand dryer
- Wall mounting bracket
- Fixtures and fittings
- User manual and installation guide

Installation & Safety Guidelines

- All electrical installation and repair work should be carried out by a qualified electrician in accordance with current local codes or regulations.
- Do not attempt any disassembly or modification of the unit that is not expressly stated in this manual.
- Do not install when the product (power cable) is electrified.
- Install securely in a location strong enough to support the weight of the unit.
- Install the hand dryer on a smooth surface and in an area where people are not likely to collide with the object once installed.
- Do not scratch, damage, process, excessively bend, pull, twist or bundle the power cable, and do not place heavy objects onto it or trap it.
- Do not use in a hot location such as a shower room, where condensation may form on the unit, or where water may splash directly at the unit.
- Do not install this hand dryer above sources of water such as sinks or taps.
- Ensure a clear space of at least 400mm around the air nozzle.
- Do not install in locations where salt damage may occur, or where corrosive, neutral, or reductive gases are present.

Installation Instructions

1a. Remove the air filter cartridge:

- Prior to installation, remove the air filter cartridge from the dryer and store safely.

1b. Wire the unit:

- Remove the hand dryer cover.
- Wire the unit accordingly.
- Replace the hand dryer cover once complete.

2. Fix the mounting plate:

- Having removed the mounting plate from the rear of the dryer, fix to the wall using the provided fixings as per the diagram measurement guide.

3. Hang the dryer on mounting plate:

- Carefully hang the dryer chassis on to the mounting plate and ensure it is securely attached.

4. Replace air filter cartridge

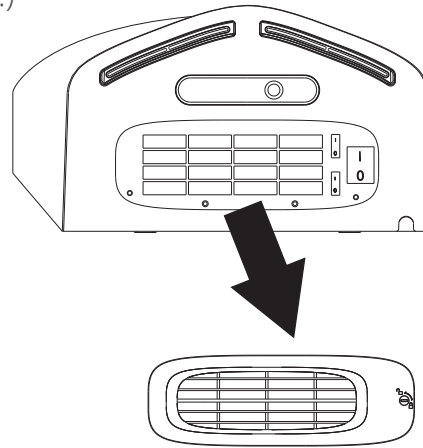
- Replace the air filter cartridge into the unit and secure using provided screws.

Recommended Mounting Heights

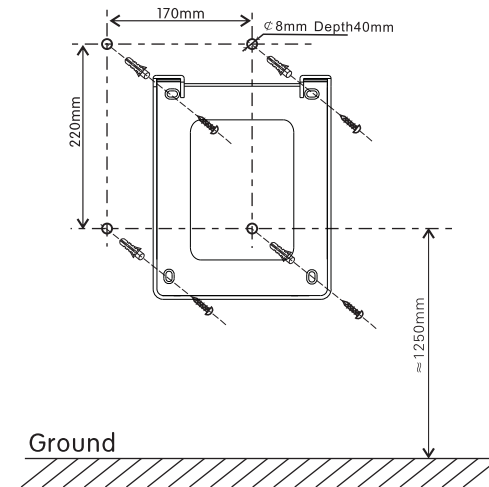
Measurements are from the base of the unit to the floor

- Mens: 45" (114 cm)
- Ladies: 43" (109 cm)
- Teenagers: 41" (104 cm)
- Small Children: 35" (89 cm)
- Disabled: 39" (99 cm)

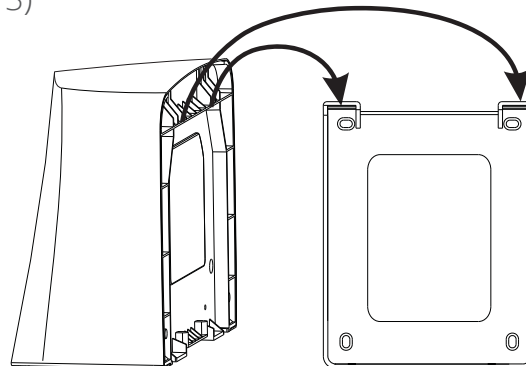
1a.)



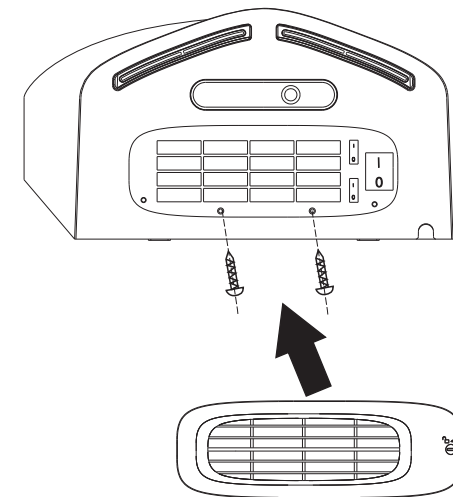
.2.)



3.)



4.)



Operation Guidelines

- Before inserting hands under the dryer, shake off any excess water.
- This hand dryer incorporates no touch sensor activation for hygienic use. Simply place your hands 10cm from the air outlet and the hand dryer will be automatically activated.
- Remove your hands away from the air outlet and the hand dryer will be deactivated after 2 seconds.
- The hand dryer will automatically cut off after running for 60 seconds if the sensor is activated for this period. If need be, remove hands from the sensor and return your hands and the dryer will re-activate.

Cleaning & Maintenance Guidelines

Cleaning and maintenance should be carried out by service personnel only. It is recommended that cleaning be carried out regularly every month.

1. Ensure that the unit is disconnected from the mains supply.
2. Remove the front cover by releasing the two fixing screws.
3. Carefully remove any build up of dust from within the dryer mechanism.
4. Then replace the cover and wipe down the exterior of the dryer with a damp cloth, removing any build of up dirt.
5. Ensure the unit is completely dry before reconnecting the power supply.

Cleaning of Air Filter Cartridge

If the air strength of the dryer has noticeably diminished, please clean the air filter according to the following instructions. Note - do not clean the air filter with water.

1. Remove the filter cartridge by pulling firmly on the cartridge cover.
2. Remove the filter screen from the cartridge.
3. Clean all dust from the screen using a soft brush or compressed air canister. If the the air filter is too contaminated with dust, it will need replacing - please contact us.
4. Replace the filter screen into the cartridge and push the cartridge firmly back into the dryer body.

Warranty Details

- All Tekflo Hand Dryers are guaranteed to be free from defects in parts and manufacture for 2 years from the date of purchase, provided that the product is used under the normal operating conditions stated within the manual.
- The warranty is only available to the original purchaser and is not transferable. Your consumer rights are not affected.
- If there are any defects with your hand dryer please contact the provider stating your invoice number, date of purchase, full name and address.
- Do not attempt to repair or take apart the hand dryer your self. If the hand dryer has been tampered with before it arrives with us, the warranty will be void.
- We advise that all customers retain original packaging should the unit need to be returned.
- If your hand dryer occurs a problem outside of the warranty period, we offer a repair service where we can collect and professionally repair your hand dryer.

Notes



Automatic Hand Dryers

Visit www.tekflo.com or email enquiries@tekflo.com
for more information