

# Installation Instructions Breeze Hand Dryer

## 1) Remove dryer cover:

- Loosen the dryer cover by removing the mounting screws located at the bottom and sides of the unit.

## 2) Remove dryer body:

- Use a Phillips screwdriver (over 150mm long) to loosen the screws and remove the hand dryer body.

## 3) Create recess & prepare framework:

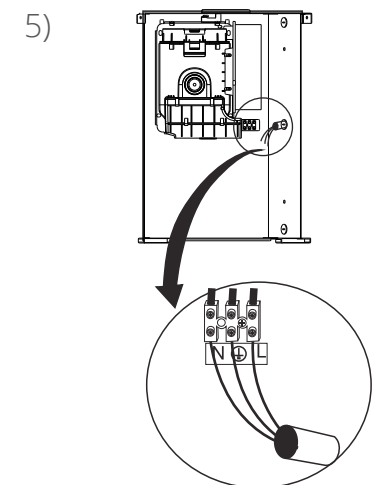
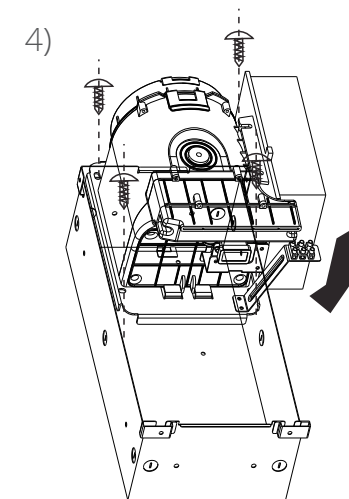
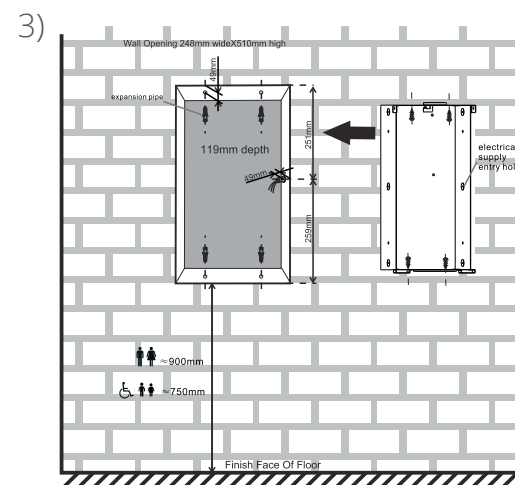
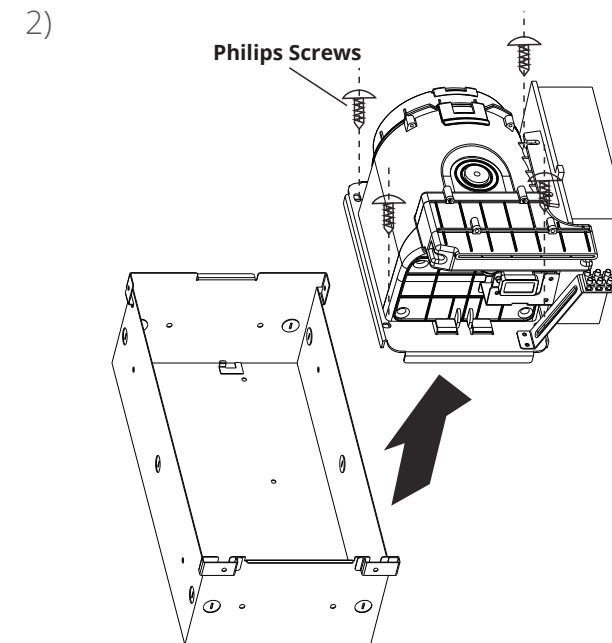
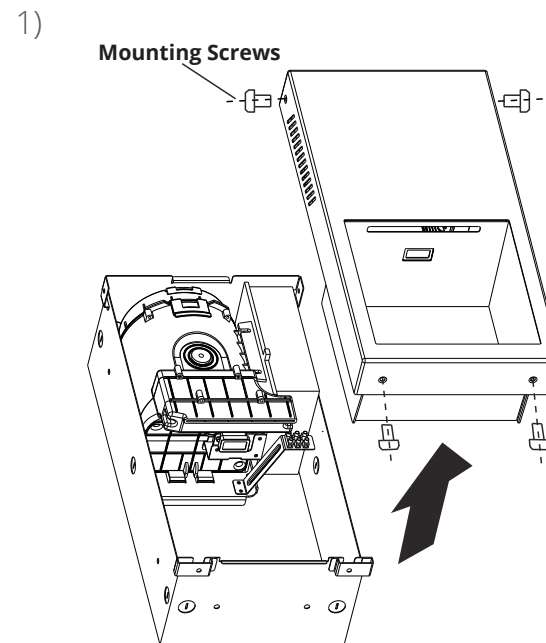
- Prepare recess in wall, 248mm W x 510mm H x 119mm D.
- As shown in the diagram, drill holes at the corresponding positions and insert the wall plugs (4 in total) into the holes.
- Use a slotted screwdriver to line up the electrical supply entry hole and then insert the wires.
- Place the metal framework into the wall and tighten the fixings.

## 4) Fit dryer body:

- Place the dryer body back into the framework and using a Phillips Screwdriver tighten the screws to fix the hand dryer body.

## 5) Connect wiring:

- Connect wiring to the terminal connector.



# Installation Instructions Breeze Hand Dryer

## 6) Replace dryer cover:

- Place the dryer cover slowly onto the framework.

## 7) Check everything lines up:

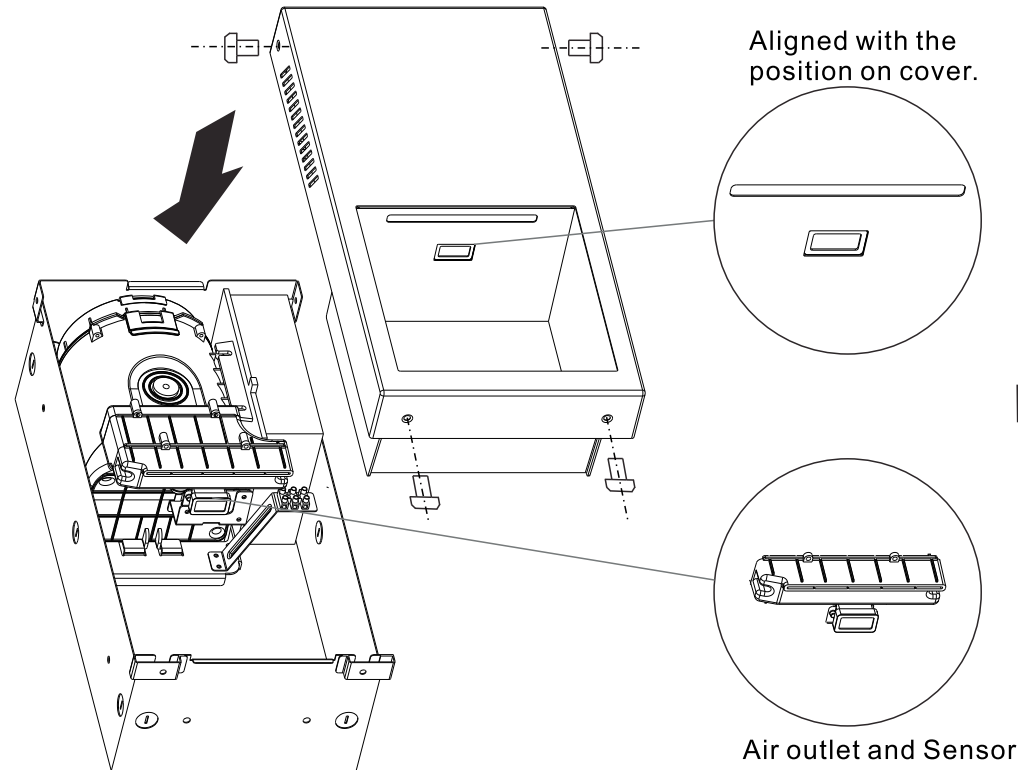
- The sensor and the air outlet should be aligned with the position on the cover.
- Tighten mounting screws and fix cover in place.

## Recommended Mounting Heights

Measurements are from the bottom of the recessed framework to the floor

- Mens / Ladies: 900mm
- Disabled: 750mm

6)



7)

