

Installation Instructions Ultra Hand Dryer

Remove the dryer cover:

- Remove the four screws holding the outer cover in place.
- Disconnect ribbon cable attached to front sensor.

Drill the fixing points:

- Offer the installation panel up to the mounting surface and mark the four fixing points through the holes in the backplate. Drill the four marked fixing holes and insert the supplied wall plugs. Offer the installation panel up to the wall, and insert the four fixing screws through the panel into the wall plugs.

Wire the unit:

- Wire the unit accordingly. Choosing the cable entry point either through the rear panel or in through bottom left.

Fix the unit in place:

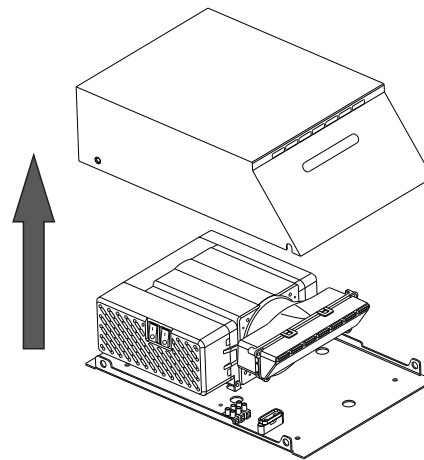
- Reconnect the ribbon cable to the sensor on the dryer cover.
- Check that the power cable is not trapped behind the unit.
- Gently press the dryer cover into place and fit the four screws through the case.

Recommended Mounting Heights

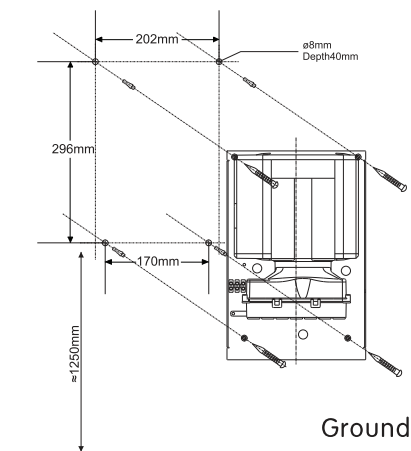
Measurements are from the lower set fixings on the back panel to the floor level.

- Mens / Ladies: 1250mm
- Disabled / Children: 1030mm

1)



2)



3)

